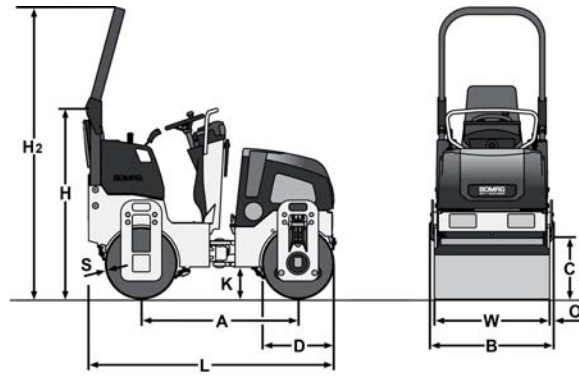


# TECHNICAL DATA

TANDEM ROLLERS

BW 900-50





**Dimensions in in**

	<b>A</b>	<b>B</b>	<b>C</b>	<b>D</b>	<b>H</b>	<b>H2</b>	<b>K</b>	<b>L</b>	<b>O</b>	<b>S</b>	<b>W</b>
<b>BW 900-50</b>	48.1	37.8	17.7	22.0	68.0	90.2	9.8	77.4	1.2	0.3	35.4

**Shipping dimensions in cub.yd**

**BW 900-50**

**without ROPS**

4.263

**with ROPS**

6.408

<b>Machine type</b>	<b>Compaction output (cub.yd/h) at recommended soil layer thicknesses</b>		
	<b>Gravel, sand</b>	<b>Mixed soil</b>	<b>Silt, clay</b>
BW 900-50	65.4-130.8	45.8-91.6	39.2-71.9

<b>Machine type</b>	<b>Compaction output (t/h) at different asphalt layer thicknesses</b>		
	<b>0.8-1.6 in</b>	<b>2.4-3.1 in</b>	<b>3.9-5.5 in</b>
BW 900-50	10-25	20-40	30-60

## Technical Data

## HONDA BW 900-50

### Weights

Operating weight CECE .....	lb	2,646
Average axle load CECE .....	lb	1,321
Average static linear load CECE .....	lb/in	37.3

### Dimensions

Working width .....	in	35.4
Track radius, inner .....	in	64.8

### Driving Characteristics

Working speed with vibration .....	mph	0- 2.5
Max. travel speed .....	mph	0- 5.4
Max. gradeability without/with vibr. ....	%	40/30

### Drive

Engine manufacturer .....		Honda
Type .....		GX 630
Cooling .....		air
Number of cylinders .....		2
Performance SAE J 1349 .....	hp	20.0
Speed .....	min-1	3,300
Electric equipment .....	V	12
Drive system .....		hydrost.
Driven drum .....		2

### Brakes

Service brake .....		hydrost.
Parking brake .....		mech.

### Steering

Steering system .....		oscil.artic.
Steering method .....		hydrost.
Steering angle +/- .....	deg	33
Oscillating angle +/- .....	deg	6.0

### Exciter system

Vibrating drum .....		front
Drive system .....		hydrost.
Frequency .....	vpm	4,200
Amplitude .....	in	0.020
Centrifugal force .....	lb	3,372

### Sprinkler System

Type of sprinkling .....		pressure
--------------------------	--	----------

### Capacities

Fuel .....	gal	7.1
Water .....	gal	36.2

Technical modifications reserved. Machines may be shown with options.

## Standard Equipment

- Hydrostatic travel and vibration drive
- Front drum vibration
- Travel drive in series
- Oscillating artic. center joint
- Hydrostatic articulated steering
- Mechanical parking brake
- Vibration control in travel lever
- 2 scrapers per drum
- Plastic water tank
- Pressure sprinkler system
- Hour meter
- Low fuel level indicator
- Control and warning indicator lights
- Automatic shutdown at low oil level
- Lockable anti vandal dashboard protection
- Single point lifting device
- Lockable engine cover
- Transport lashing and lifting points  
front/rear
- Emergency engine shut down
- Corrosion and weather protected ignition  
switch
- Seat belt
- Back-up alarm

## Optional Equipment

- ROPS
- Foldable ROPS
- Working lights front and rear

