

SSV Series

Specifications

SSV65



Model		SSV65	
Type of operator station		Open CAB / Closed CAB	
Engine	Model	V2607-CR-TE4	
	Emission certification	Tier 4	
	Gross HP (SAE J1995)	HP (kW)/rpm	64.0 (47.7) / 2700
	Net HP (SAE J1349)	HP (kW)/rpm	63.0 (47.0) / 2700
	Peak Torque @1500 rpm	lbf-ft (Nm)	166 (225)
	Displacement	cu.in. (cc)	159.7 (2615)
	Cylinders		4
	Bore Stroke	in.(mm)	3.5 (87) × 4.4 (110)
	Aspiration		Turbocharged
Loader performance	Rated operating capacity-50% tipping load	lbs. (kg)	1950 (885)
	Tipping load	lbs. (kg)	3900 (1770)
	Breakout force	Bucket	4839 (2195)
		Lift arm	3858 (1750)
	Lift arm path		Vertical
Power train	Standard tire size	ft.in. (mm)	10-16.5-8PR
	Chain size ASA#	ft.in. (mm)	80
	Travel speed	Low	6.9 (11.1)
		High	11.1 (17.8)
	Traction force	lbf. (kgf)	7339 (3329)
	Ground clearance	in. (mm)	7.6 (193)
Hydraulic system	Loader hydraulic flow	gpm (/min.)	18.0 (68.0)
	Loader hydraulic pressure	psi (kgf/cm2)	3271 (230)
	Aux. hydraulic flow	Standard	18.0 (68.0)
		High	28.0 (106.0)
Service refill capacities	Hydraulic tank	gal. ()	4.2 (16.0)
	Fuel tank	gal. ()	25.4 (96.0)
Operating weight (Include operator weight 175 lbs.)		lbs. (kg)	6790 (3080) / 7055 (3200)

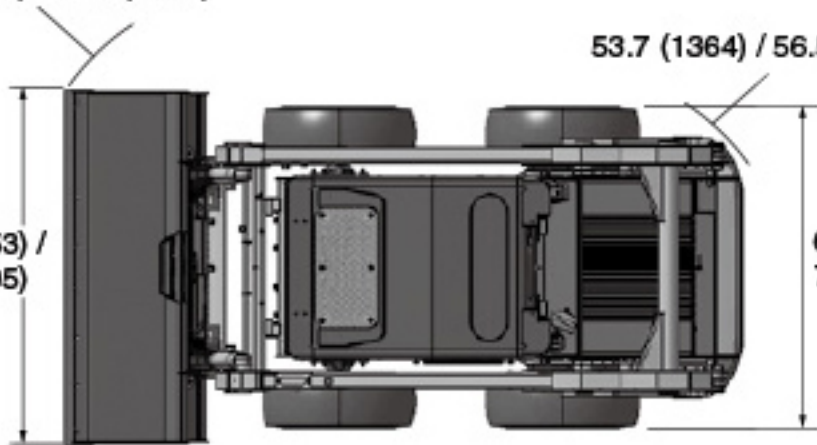
Note: The above dimensions are based on the machine with std. tires, skid steer type quick coupler, standard bucket and ROPS/FOPS canopy and cabin. The company reserves the right to change the above specifications without notice. This brochure is for descriptive purposes only. Please contact your local Kubota dealer for warranty information. For your safety, Kubota strongly recommends the use of a Rollover Protective structure (ROPS) and seat belt in almost all applications.

DIMENSIONS

SSV65 / SSV75

92.3 (2345) / 98.5 (2503)

69.0 (1753) /
75.0 (1905)



121.5 (3085) /
128.3 (3258)

